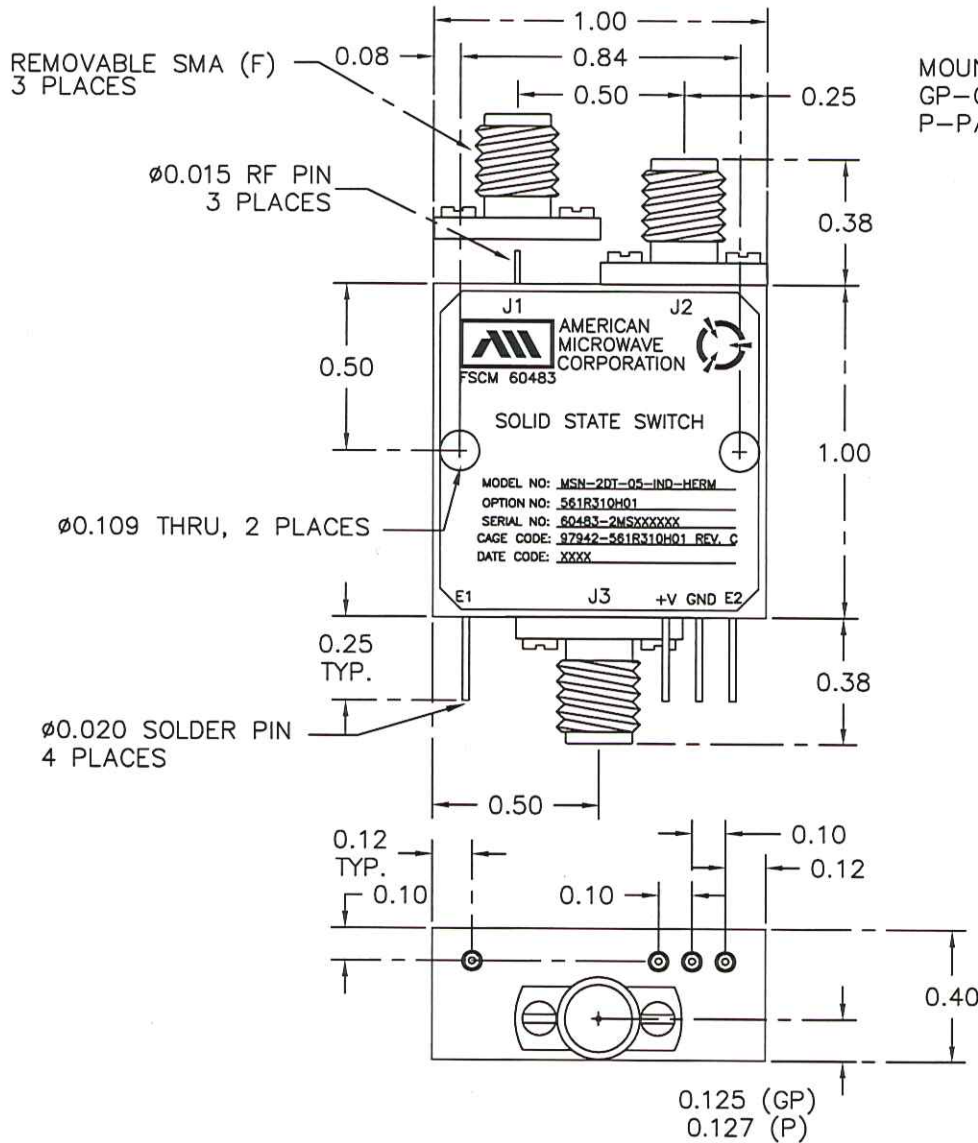


DESCRIPTION:

AMC MODEL MSN-2DT-05-IND-HERM OPTION: 561R310H01 IS AN ABSORPTIVE/NON-REFLECTIVE SINGLE POLE TWO THROW HERMETICALLY SEALED SWITCH, WITH LOW INSERTION LOSS, A SINGLE +5V SUPPLY AND DECODER CONTROL THAT IS OPTIMIZED FOR 50 MHZ TO 500 MHZ.

REVISIONS				
ZONE	REV.	DESCRIPTION	DATE	APPROVED
	-	ORIGINAL RELEASE JOB# 511253	12/12/05	
	A	SEE ECR 07-055	04/18/07	PA



MOUNTING SURFACE
GP-GOLD PLATED
P-PAINTED

MECHANICAL OUTLINE

AMERICAN MICROWAVE CORPORATION
7311-G GROVE ROAD
FREDERICK, MARYLAND 21704 USA
TEL: 301-662-4700 FAX: 301-662-4938
WEBSITE: www.americanmicrowavecorp.com
E-MAIL: sales@americanmicrowavecorp.com
ISO 9001:2000 CERTIFIED



APPROVALS		DATE	TITLE	
DRAWN <i>gdy</i>		12/12/05	MECHANICAL OUTLINE	
MANUFACTURING <i>PA</i>		4/18/07	MSN-2DT-05-IND-HERM	
QUALITY			OPTION: 561R310H01	
SIZE	FSCM NO.	DWG NO.	50 TO 500 MHZ, SINGLE POLE TWO THROW SWITCH	
A	60483	100-7184-000	A	
SCALE N:S			SHEET 2 OF 4	

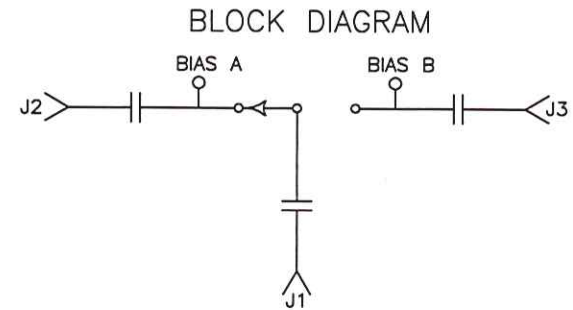
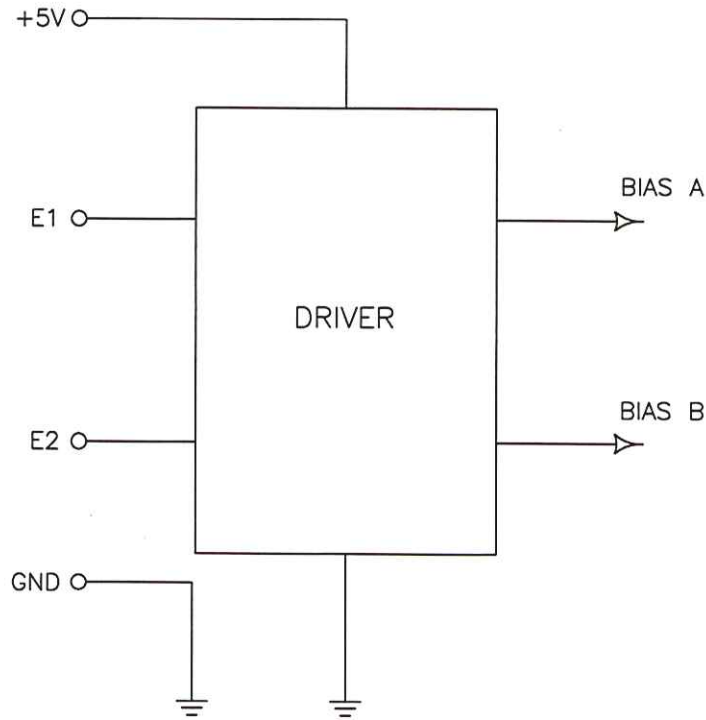
ALL DIMENSIONS ARE IN INCHES
TOLERANCES:
X.XX ±0.020
X.XXX ±0.010

DESCRIPTION:

AMC MODEL MSN-2DT-05-IND-HERM OPTION: 561R310H01 IS AN ABSORPTIVE/NON-REFLECTIVE SINGLE POLE TWO THROW HERMETICALLY SEALED SWITCH, WITH LOW INSERTION LOSS, A SINGLE +5V SUPPLY AND DECODER CONTROL THAT IS OPTIMIZED FOR 50 MHZ TO 500 MHZ.

REVISIONS				
ZONE	REV.	DESCRIPTION	DATE	APPROVED
	-	ORIGINAL RELEASE JOB# 511253	12/12/05	
	A	SEE ECR 07-055	04/18/07	PA

FUNCTIONAL BLOCK DIAGRAM



AMERICAN MICROWAVE CORPORATION

7311-G GROVE ROAD
 FREDERICK, MARYLAND 21704 USA
 TEL: 301-662-4700 FAX: 301-662-4938
 WEBSITE: www.americanmicrowavecorp.com
 E-MAIL: sales@americanmicrowavecorp.com
 ISO 9001:2000 CERTIFIED



APPROVALS		DATE	TITLE			
DRAWN	gDJ	12/12/05	FUNCTIONAL BLOCK DIAGRAM MSN-2DT-05-IND-HERM OPTION: 561R310H01 50 TO 500 MHZ, SINGLE POLE TWO THROW SWITCH			
MANUFACTURING	PA	4/18/07	SIZE	FSCM NO.	DWG NO.	REV.
QUALITY			A	60483	100-7184-000	A
			SCALE	N:S		SHEET 3 OF 4